

Surgical Sets

Noris' Surgical Sets were organized for Efficiency and Simplicity



78	PREMIUM SURGICAL SET BOX	NMCX2111
79	MINI SURGICAL SET BOX	NMCX2210
80	ZYGOMATIC SURGICAL SET	NM-X2118
81	PREMIUM ZYGOMATIC SURGICAL SET	NM-X2119
82	PTERYGOID SURGICAL SET	NM-X2250
83	EZgoma® SURGICAL SET	NM-X2230
84	EZGUIDE™ GUIDED SURGERY SET	NM-X2240

SETS | PREMIUM SURGICAL SET BOX

NMCX2111



SET NMCX2111

CONTAINS:

Drill, \varnothing 2.0mm	NMCD1220	Driver \varnothing 1.25mm, L 15mm	NM-X1215
Drill, \varnothing 2.8mm	NMCD1228	Driver \varnothing 2.42mm, L 7mm	NMHX2607
Drill, \varnothing 3.2mm	NMCD1232	Driver \varnothing 2.42mm, L 15mm	NMHX2615
Drill, \varnothing 3.65mm	NMCD1236	Motor Mount \varnothing 1.25, L 20mm	NM-X1008
Drill, \varnothing 4.2mm	NMCD1242	Motor Mount \varnothing 2.42, L 20mm	NMHX1014
Drill, \varnothing 5.2mm	NMCD1252	Motor Mount \varnothing 2.42, L 28mm	NMHX1015
Countersink, \varnothing 3.8-4.2mm	NMCD1034	Torque Ratchet	NM-X1021
Countersink, \varnothing 5.0-6.0mm	NMCD1056	Guide Pin, L 10mm - 2 Pcs.	NM-X1026
Marking Drill	NM-D3410	Guide Pin, L 16mm - 2 Pcs.	NM-X1027
Drill Extension	NM-D3412	Depth Probe	NM-X1025
Driver \varnothing 1.25mm, L 7mm	NM-X1207	Hand Driver \varnothing 1.25, L 14mm	NM-X1007

SETS | MINI SURGICAL SET BOX

NMCX2210



SET NMCX2210

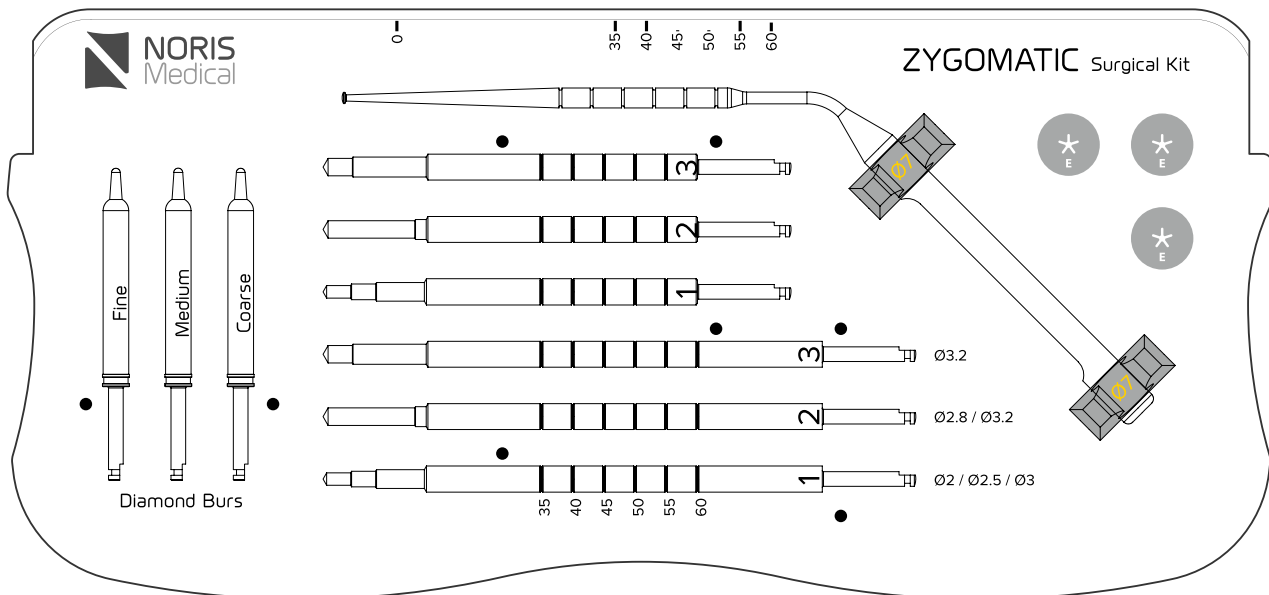
CONTAINS:

Drill, \varnothing 2.0mm	NMCD1220
Drill, \varnothing 2.8mm	NMCD1228
Drill, \varnothing 3.2mm	NMCD1232
Drill, \varnothing 3.65mm	NMCD1236
Drill, \varnothing 4.2mm	NMCD1242
Torque Ratchet	NM-X1021
Drill, Countersink, \varnothing 3.8-4.2mm	NMCD1034

Marking Drill	NM-D3410
Guide Pin, L 10mm	NM-X1026
Guide Pin, L 16mm	NM-X1027
Driver \varnothing 1.25mm, L 15mm	NM-X1215
Driver \varnothing 2.42mm, L 15mm	NMHX2615
Motor Mount \varnothing 1.25, L 22mm	NM-X1008
Motor Mount \varnothing 2.42, L 28mm	NMHX1015

SETS | ZYGOMATIC SURGICAL SET

NM-X2118



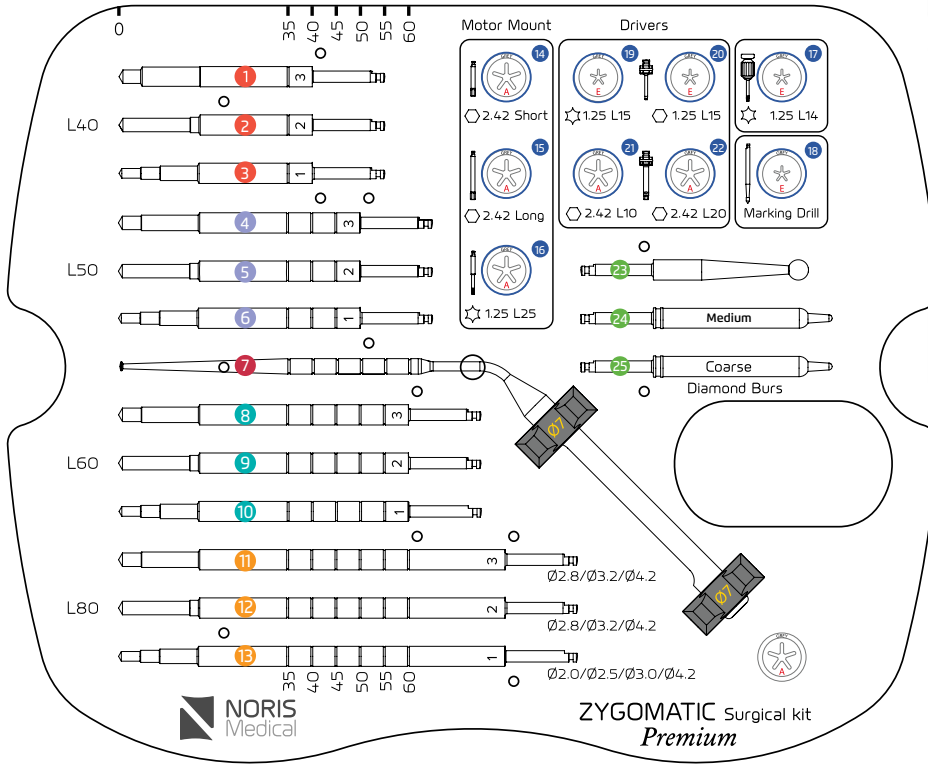
No.	Ref No.		Product Description
1	NM-X1028		Depth Probe 30mm to 60mm
2	NM-X1210		Driver Hex 1.25mm, L10.0mm, SS
3	NMHX2620		Driver Hex 2.4mm, L20mm, Self Holding
4	NM-X7007		Hand driver Star-Hex 1.25, L14mm
5	NM-D7201		Diamond Burr, ø4.2mm, L30mm, Fine, Red
6	NM-D7202		Diamond Burr, ø4.2mm, L30mm, Medium, Black
7	NM-D7203		Diamond Burr, ø4.2mm, L30mm, Coarse, Blue

No.	Ref No.		Product Description
8	NM-D7032		Step Drill no.3 Zygoma, ø2.8/ø3.2, L60 mm, SS.
9	NM-D7028		Step Drill no.2 Zygoma, ø2.8/ø3.2, L60 mm, SS.
10	NM-D7020		Step Drill no.1 Zygoma, ø2.0/ø2.5/ø3.0, L60 mm, SS.
11	NM-D7132		Step Drill no.3 Zygoma, ø2.8/ø3.2, L80 mm, SS.
12	NM-D7128		Step Drill no.2 Zygoma, ø2.8/ø3.2, L80 mm, SS
13	NM-D7120		Step Drill no.1 Zygoma, ø2.0/ø2.5/ø3.0, L80 mm, SS.

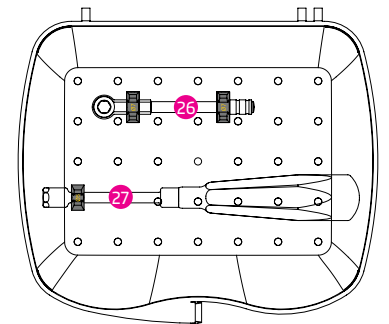
sets | Premium Zygomatic Surgical Set

NM-X2119

Upper Tray



Lower Tray



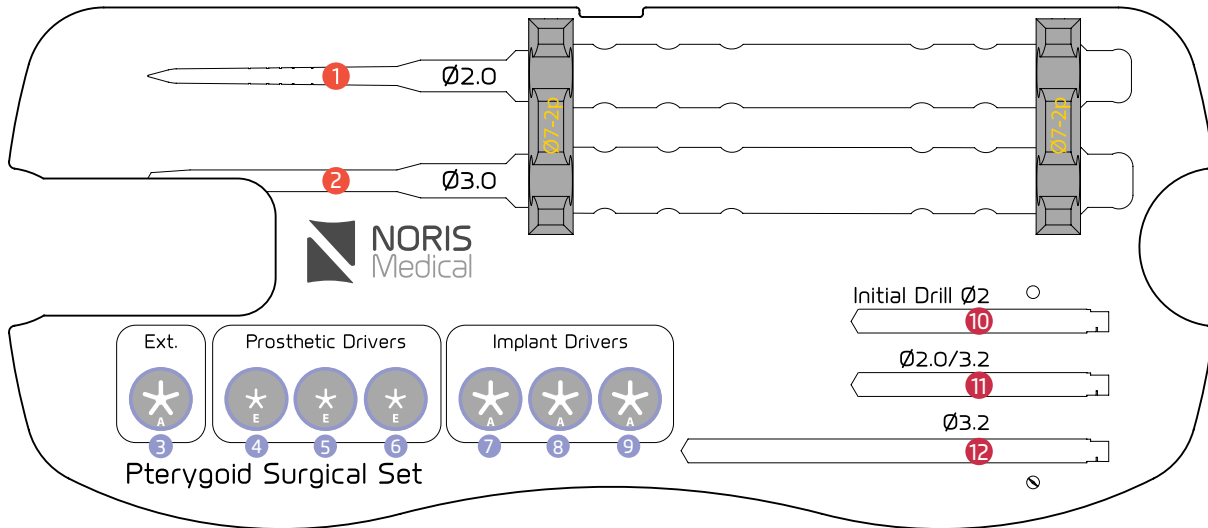
No.	Ref No.	Product Description
1	NM-D7532	Step Drill for Zygoma (3) $\varnothing 2.8/\varnothing 3.2$, L40mm
2	NM-D7528	Step Drill for Zygoma (2) $\varnothing 2.8/\varnothing 3.0$, L40mm
3	NM-D7520	Step Drill for Zygoma (1) $\varnothing 2.0/\varnothing 2.5/\varnothing 3.0$, L40mm
4	NM-D7632	Step Drill for Zygoma (3) $\varnothing 2.8/\varnothing 3.2$ L50mm
5	NM-D7628	Step Drill for Zygoma (2) $\varnothing 2.8/\varnothing 3.0$, L50mm
6	NM-D7620	Step Drill for Zygoma (1) $\varnothing 2.0/\varnothing 2.5/\varnothing 3.0$, L50mm
7	NM-X1028	Depth Probe 35mm to 60mm
8	NM-D7032	Step Drill for Zygoma (3) $\varnothing 2.8/\varnothing 3.2$, L60mm
9	NM-D7028	Step Drill for Zygoma (2) $\varnothing 2.8/\varnothing 3.0$, L60mm
10	NM-D7020	Step Drill for Zygoma (1) $\varnothing 2.0/\varnothing 2.5/\varnothing 3.0$, L60mm
11	NM-D7132	Step Drill for Zygoma (3) $\varnothing 2.8/\varnothing 3.2$, L80mm
12	NM-D7128	Step Drill for Zygoma (2) $\varnothing 2.8/\varnothing 3.0$, L80mm
13	NM-D7120	Step Drill for Zygoma (1) $\varnothing 2.0/\varnothing 2.5/\varnothing 3.0$, L80mm
14	NMHX1014	Motor Mount 2.42, L 20mm

No.	Ref No.	Product Description
15	NMHX1015	Motor Mount 2.42, L 28mm
16	NM-X7009	Motor Mount, Star-Hex 1.25mm, L25mm
17	NM-X7007	Hand driver Star-Hex 1.25, L14mm
18	NM-D3410	Marking-Drill
19	NM-X7315	Driver Star Hex 1.25mm, L15mm
20	NM-X1215	Driver Hex 1.25mm, L15mm
21	NMHX2610	Driver Hex 2.4mm, L10mm, Self Holding
22	NMHX2620	Driver Hex 2.4mm, L20mm, Self Holding
23	NM-D7501	Diamond Ball Burr $\varnothing 4.2$ mm, L30mm
24	NM-D7202	Diamond Burr $\varnothing 4.2$ mm, L30mm, Medium, Black
25	NM-D7203	Diamond Burr $\varnothing 4.2$ mm, L30mm, Coarse, Blue
26	NM-X1021	Torque Ratchet
27	NM-X1023	Surgical Screw Driver Long

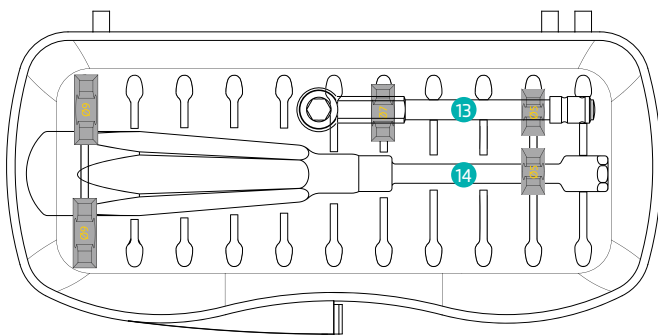
SETS | PTERYGOID SURGICAL SET

NM-X2250

Upper Tray



Lower Tray



No.	Ref No.	Product Description
1	NM-X3001	Osteotom 2.0mm, SS
2	NM-X3002	Osteotom 3.0mm, SS
3	NM-D3412	Drill-Extension-SS
4	NM-X7011	Hand driver Star-Hex 1.25mm, L20.0mm, SS
5	NM-X1010	Motor Mount Hex 1.25, L35.0mm, SS
6	NM-X1215	Driver Hex 1.25mm, L15.0mm, SS
7	NMHX1015	Motor Mount Hex 2.42, L28.0mm, Self-Holding, SS

No.	Ref No.	Product Description
8	NMHX2615	Driver HeX 2.42mm, L15.0mm, Self-Holding, SS
9	NMHX2640	Driver HeX 2.42mm, L40.0mm, Self-Holding, SS
10	NMCD2320	Drill, ø2.0, L25mm, DLC, SS.
11	NMCD4032	Conical Drill, ø2.0 ø3.2mm, L25mm, DLC, SS
12	NM-D7432	Drill, ø3.2, Std, L43.0mm, SS
13	NM-X1023	Surgical Screw Driver Long
14	NM-X1021	Torque Ratchet

SETS | EZgoma® SURGICAL SET

NM-X2230



SURGICAL SET FOR EZgoma® NM-X2230

CONTAINS:

Bone Screw Drill, \varnothing 1.2, L28mm, Depth 8mm, SS	NM-D2408	Positioning pin for Driver, SS	NM-X2701
Bone Screw Drill, \varnothing 1.2, L32mm, Depth 12mm, SS	NM-D2412	Extraction pin, SS	NM-X2702
Stop Drill, \varnothing 4.2, L15.0mm, SS	NM-D2515	Driver Hex 2.4mm, Dia 4.2mm, L10mm, SS	NM-X2710
Drill-Extension-SS	NM-D3412	Driver Hex 2.4mm, Dia 4.2mm, L15mm, SS	NM-X2715
Zygoma Drill-C2, L60mm, \varnothing 3.0, Step 20mm, SS	NM-D7002	Driver Hex 2.4mm, Dia 4.2mm, L20mm, SS	NM-X2720
Diamond Burr, \varnothing 4.2mm, L30mm, Coarse, Drill Tip	NM-D7211	Motor Mount, Star-Hex 1.25mm, L25.0mm, SS	NM-X7009
Diamond Burr, \varnothing 4.2mm, L40mm, Coarse, Drill Tip	NM-D7212	Motor Mount Hex 2.42, L28.0mm, Self Holding, SS	NMHX1015
Diamond Burr, \varnothing 5.2mm, L10mm	NM-D7221	Drill Stopper, ID \varnothing 4.2, IL10.0mm, SS	NMSD2510
Diamond Burr, \varnothing 5.2mm, L15mm	NM-D7222	Drill Stopper, ID \varnothing 2.8, IL18.0mm, SS	NMSD7318
Diamond Burr, \varnothing 5.2mm, L20mm	NM-D7223	Drill Stopper, ID \varnothing 2.8, IL20.0mm, SS	NMSD7320
Stopper Drill, \varnothing 2.8, Std, L40.0mm, SS	NM-D7328	Drill Stopper, ID \varnothing 2.8, IL22.0mm, SS	NMSD7322
Diamond Ball Burr, \varnothing 4.2mm, L30mm	NM-D7501	Drill Stopper, ID \varnothing 2.8, IL25.0mm, SS	NMSD7325
Zygoma Drill-C1, L40mm, \varnothing 4.2, SS	NM-D7542	Diamond Burr, \varnothing 5.2mm, Dia 3mm extender.	NMXD7220
Zygoma Drill-C2, L50mm, \varnothing 3.0, Step 20mm, SS	NM-D7602	Spoon ID 2.8, OD 4.2, L12.0, No Sholder, SS.	NM-X7228
Zygoma Drill-C1, L50mm, \varnothing 4.2, SS	NM-D7642	Spoon ID 3.0, OD 4.2, L6, No Sholder, SS.	NM-X7230
Zygoma Drill-C2, L40mm, \varnothing 3.0, Step 10mm, SS	NM-D7701	Bone Screw \varnothing 1.6 L8.0mm, Ti.	NMBS1608
Zygoma Drill-C2, L40mm, \varnothing 3.0, Step 20mm, SS	NM-D7702	Bone Screw \varnothing 1.6 L10.0mm, Ti.	NMBS1610
Bone Screwdriver	NM-X1040	Bone Screw \varnothing 1.6 L12.0mm, Ti.	NMBS1612
Mount, Bone Screw driver, Star-Hex 1.25, L50, SS	NM-X1041	Bone Screw \varnothing 1.8 L8.0mm, Ti.	NMBS1808
Driver Hex 2.4mm, L20.0mm, SS	NMHX2620	Bone Screw \varnothing 1.8 L10.0mm, Ti.	NMBS1810
		Bone Screw \varnothing 1.8 L12.0mm, Ti.	NMBS1812