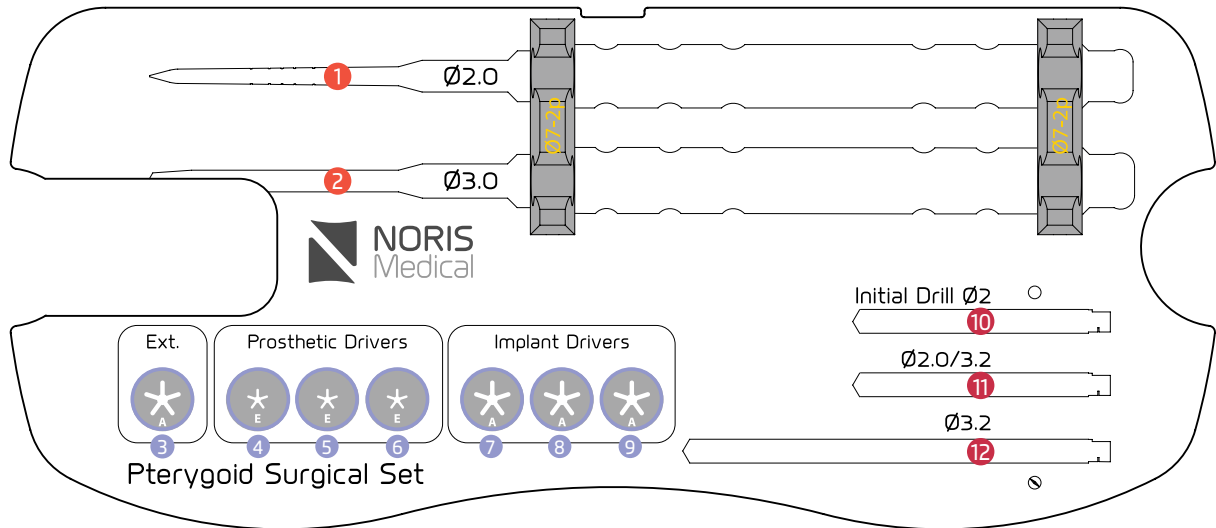


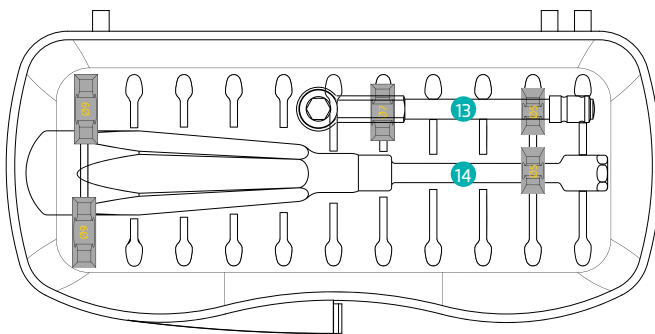
SETS | Pterygoid Surgical Set

NM-X2250

Upper Tray



Lower Tray



No.	Ref No.	Product Description
1	NM-X3001	Osteotom 2.0mm, SS
2	NM-X3002	Osteotom 3.0mm, SS
3	NM-D3412	Drill-Extension-SS
4	NM-X7011	Hand driver Star-Hex 1.25mm, L20.0mm, SS
5	NM-X1010	Motor Mount Hex 1.25, L35.0mm, SS
6	NM-X1215	Driver Hex 1.25mm, L15.0mm, SS
7	NMHX1015	Motor Mount Hex 2.42, L28.0mm, Self-Holding, SS

No.	Ref No.	Product Description
8	NMHX2615	Driver HeX 2.42mm, L15.0mm, Self-Holding, SS
9	NMHX2640	Driver HeX 2.42mm, L40.0mm, Self-Holding, SS
10	NMCD2320	Drill, ø2.0, L25mm, DLC, SS.
11	NMCD4032	Conical Drill, ø2.0 ø3.2mm, L25mm, DLC, SS
12	NM-D7432	Drill, ø3.2, Std, L43.0mm, SS
13	NM-X1023	Surgical Screw Driver Long
14	NM-X1021	Torque Ratchet